

INQUIRY SHEET OF EMBA

No. 序号	Item name 项目名称	Content provisions 内容规定
1	Inquiry company information 询价公司信息	Company name:EMBA Elektrik Uretim A.S.(Hunutlu Power Plant) 公司名称: EMBA Elektrik Uretim A.S.(Hunutlu Power Plant)
		Address:Şefik Sokak No.5 34330 Levent-Beşiktaş İstanbul 地址: Şefik Sokak No.5 34330 Levent-Beşiktaş İstanbul
		Hunutlu Power Plant Address: Akyuva district, EMBA Cluster House No.1, Yumurtalik, Adana, Turkey 胡努特鲁发电厂地址: Akyuva district, EMBA Cluster House No.1, Yumurtalik, Adana, Turkey
		Phone:05393048147 (Mr. HOU) zhenchaohou@embapower.com 联系电话: 05393048147 【Mr. HOU】 zhenchaohou@embapower.com
2	Inquiry subject 询价主题	Post-earthquake testing of ship unloaders, jacking tool making 卸船机地震后检测, 顶升工具制作
3	Scope and detailed requirements 范围和详细要求	See machining drawings for details 详见加工图纸
4	Planned service duration 计划服务期限	Planned start date 02 May 2024, planned end date 06 May 2024 计划开始时间2024年05月02日, 计划结束时间2024年05月06日
5	Location 地点	Place of delivery [Turkey Hunutlu Thermal Power Plant (Sugözü District, Yumurtalik City, Adana Province, Turkey)]
6	Quotation requirements 报价要求	Currency of quotation is United States dollars and the price is fixed for the duration of the contract 报价货币为美元, 在合同执行期间价格固定不变
		The price shall include the stamp duty required to be paid by both parties to the procurement contract (all to be borne by the contractor and to be paid by the contractor at the relevant tax authorities); 价格应包含采购合同双方需要缴纳的印花税(均由承包人承担, 并由承包人负责去相关税务部门缴纳);
		The quotation includes the full cost of completing the calibration, including but not limited to: labour cost, material cost, machinery cost, labour protection supplies cost, accommodation cost, catering cost, transportation cost (horizontal and vertical transportation inside and outside the factory), risk cost, profit, tax, and other full costs; 报价包含完成校准的全部费用, 包括但不限于: 人工费、材料费、机械费、劳动保护用品费用、住宿费、餐饮费、交通费(厂内和厂外的水平、垂直运输)、风险费、利润、税金, 等全部费用;
7	Quotation Deadline 报价截止时间	04 May 2024, before 12 a.m. 2024年05月04日, 上午12点之前
8	Quotation method 报价方式	Submission Method: Email Offers; 报价方式: 邮件发送报价; Main send: zhenchaohou@embapower.com Cc: HongDequan@embapower.com
9	Price form 价格形式	Fixed lump-sum price, which is fixed for the duration of the contract, without any additional payment by the employer 固定总价, 合同执行期间价格固定不变, 雇主不额外支付任何其他费用
10	Settlement method 结算方式	Settlement of accounts after completion of services and passing of final acceptance 服务完成, 通过最终验收后, 办理结算
11	Method of payment 支付方式	No advance payment 无预付款
		Completion payments: Upon receipt by the Employer of a VAT invoice from the Contractor that meets the Employer's requirements, payment will be made within 30 working days at 100 per cent of the amount invoiced for Lira, with no quality assurance guarantee 完工款: 雇主收到承包人提供的满足雇主要求的增值税发票后, 30个工作日内按照发票里拉金额的100%支付, 无质量保证金
		The exchange rate for converting USD to Turkish Lira is selected from the buying rate of foreign exchange published on TCMB's website [Indicative Exchange Rates] on the day of the invoice date or the day before the invoice date, and the exchange rate risk is borne by the contractor, so please consider the risk of exchange rate fluctuation in the quotation; 美元折算土耳其里拉的汇率选用发票日期当天或者发票日期前一天, TCMB网站公布的【Indicative Exchange Rates】中的外汇买入汇率, 汇率风险有承包人承担, 请在报价中考虑汇率波动风险;
12	Language 语言	English is the official language of this inquiry, and the companies participating in the quotation declare that they fully understand the contents expressed in English in this inquiry announcement. 英语作为本次询价的正式语言, 参与报价的公司声明充分理解本询价公告中英语所表达的内容
		*The Qualification documents issued by the Turkish government for for carrying out such supply. *由土耳其政府颁发的进行此类供应的资格文件。
		*Business license of enterprise legal person; *企业法人的营业执照;

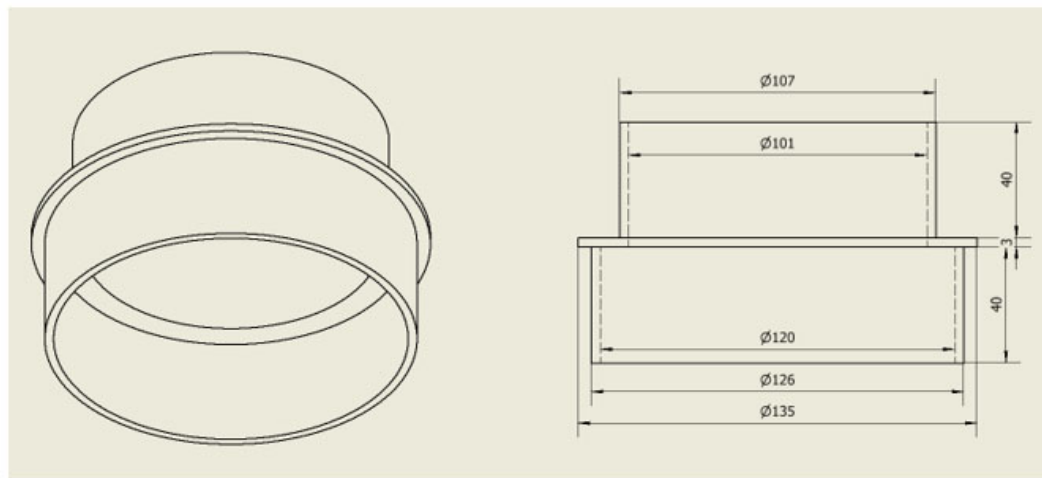
INQUIRY SHEET OF EMBA

No. 序号	Item name 项目名称	Content provisions 内容规定
12	Documents to be sent when quoting 报价时需要发送的文件	*Valid and up-to-date Trade Registry Gazette; *有效的和最新的贸易登记公报;
		*Valid and updated Signature Circular; *有效的和更新的签署通知;
		*Valid and up-to-date Tax Certificate; *有效的和最新的税务证书;
		*Other documents if necessary. *如有必要, 还有其他文件。
		*Annex 1 Bill of Quantities (Signature and seal) . *附件1 BOQ (签名和盖章版本)。
Thank you for your cooperation, looking forward to your quotation!		

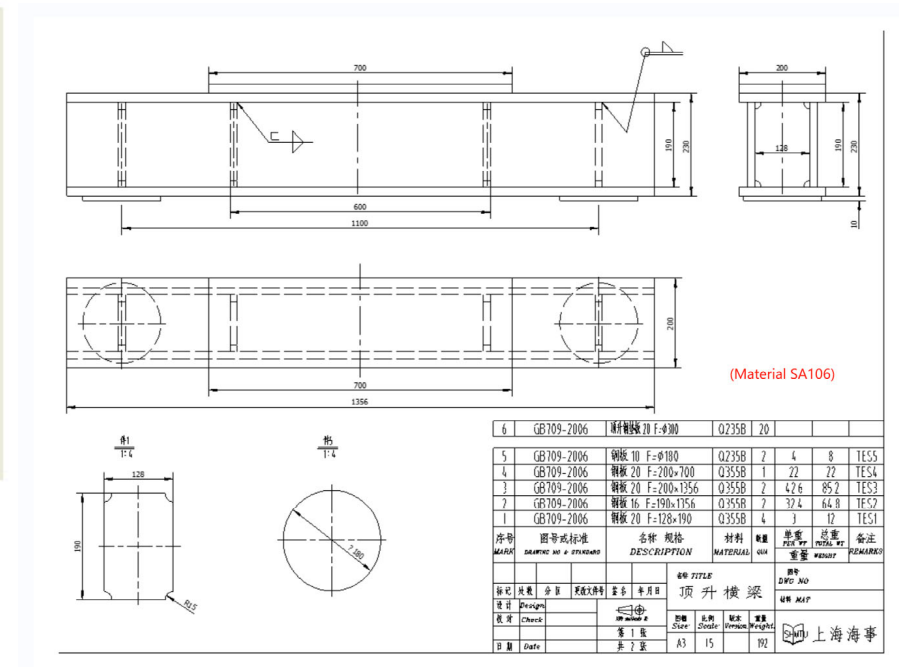
Bill of Quantities Quotation

From:EMBA ELEKTRİK ÜRETİM A.Ş.

No.	ITEM	Unit	Estimate Qty.	UNIT PRICE	TOTAL PRICE	REMARKS
1	Manufacture of Casing(Material SA106, Anti-corrosion paint) 套管制作 (材质SA106, 防锈漆)	Set	1		0.00	Fixed price
2	Manufacture of jacking beams(Material SA106, Anti-corrosion paint) 顶升横梁制作 (材质SA106, 防锈漆)	Set	1		0.00	Fixed price
TOTAL(Excluding VAT)					0.00	
VAT TAX (20%)					0.00	
TOTAL(Including VAT)					0.00	



Casing



Jacking beams